



# SQUARE PAPER ANIMALS

BY FLORE

SUGGESTED AGE: 8+

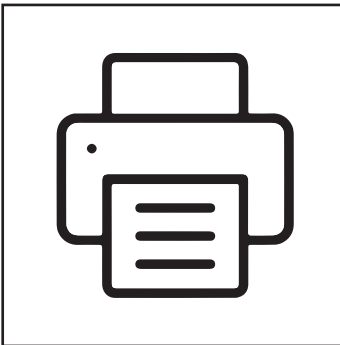
ADULT GUIDANCE REQUIRED:

Make funky three-dimensional animals.



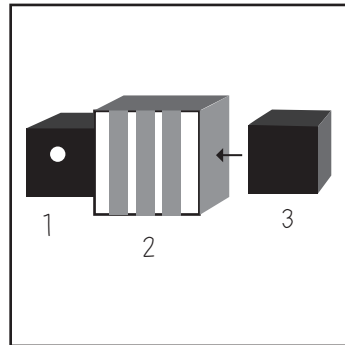
## YOU WILL NEED:

- SCISSORS
- GLUE OR STICKY TAPE
- THIS PRINT OUT (PAGE 2)



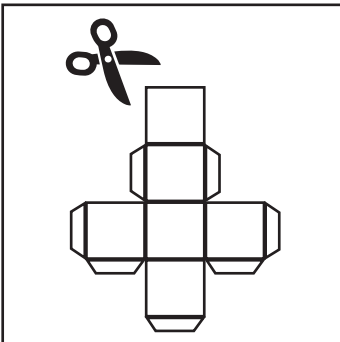
### STEP 1

Print out Page 2 of this document



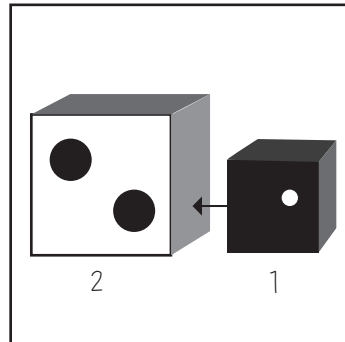
### STEP 5

Bee:  
Glue cube 1 to cube 2 and then add cube 3 at the back of cube 2.



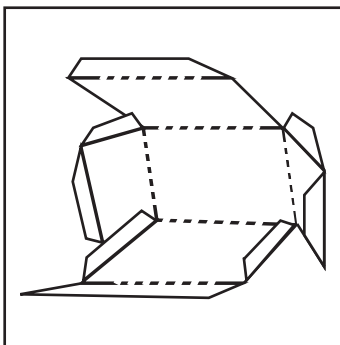
### STEP 2

Cut out the individual pieces along the outer black lines.



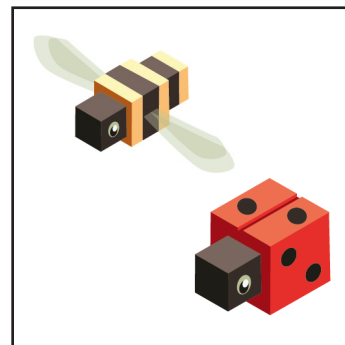
### STEP 6

Ladybird:  
Glue the small cube (1) to the big cube (2) on the indicated spot (dotted lines).



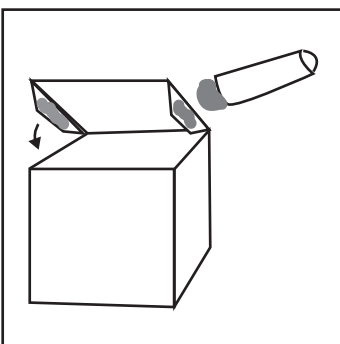
### STEP 3

Fold each piece along the dashed lines.



### STEP 7

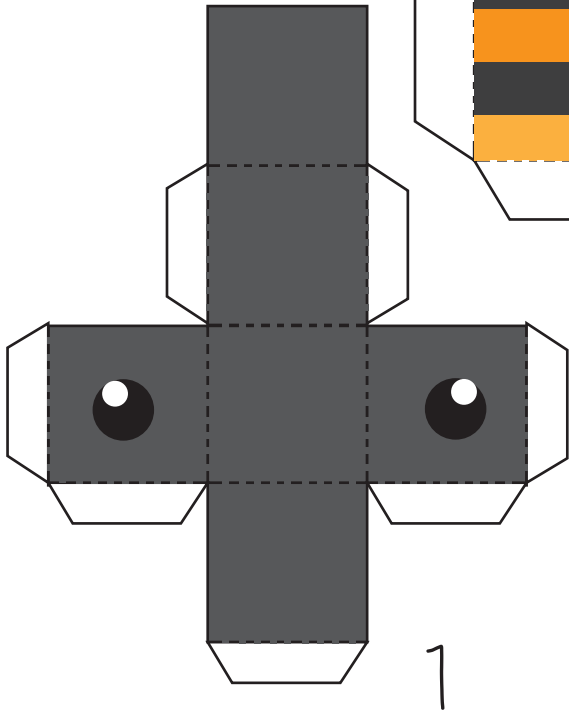
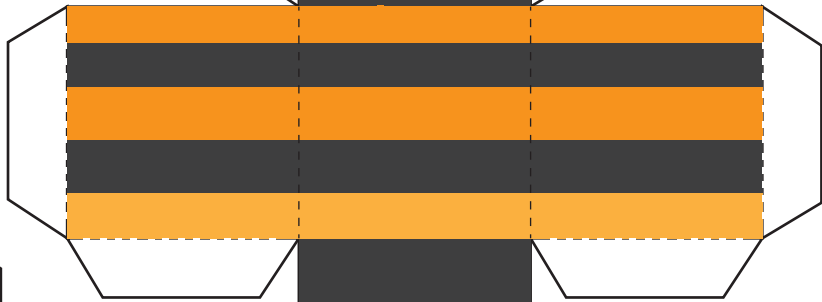
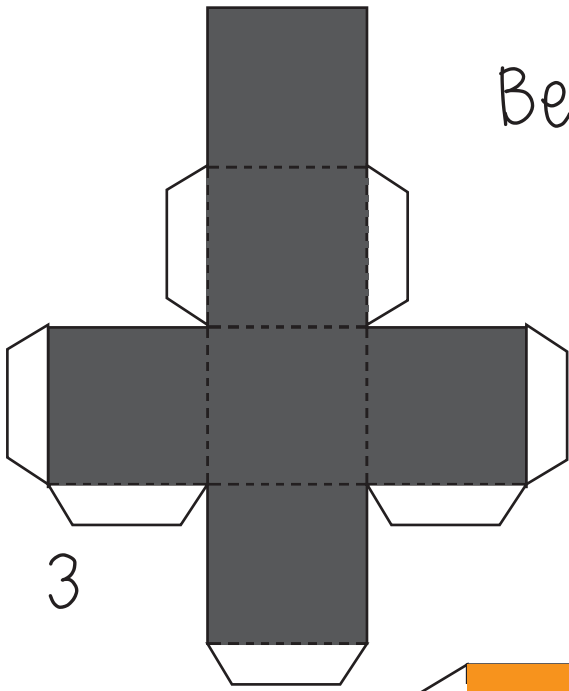
You're done!



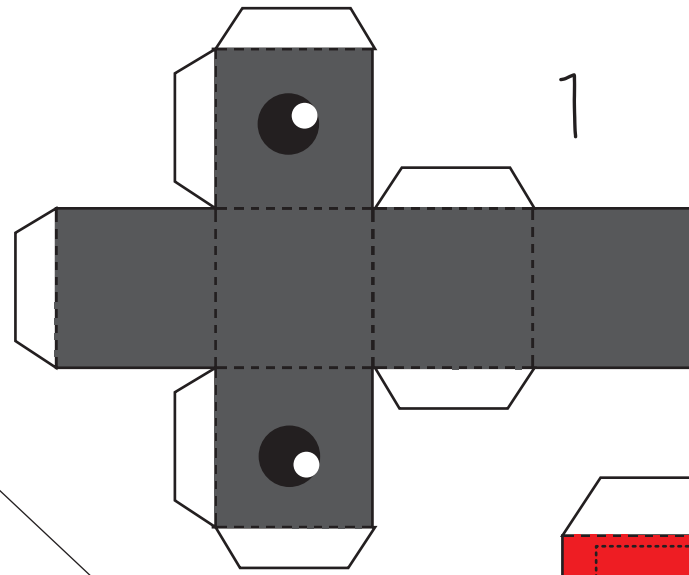
### STEP 4

Glue or tape the white tabs to the square surfaces.

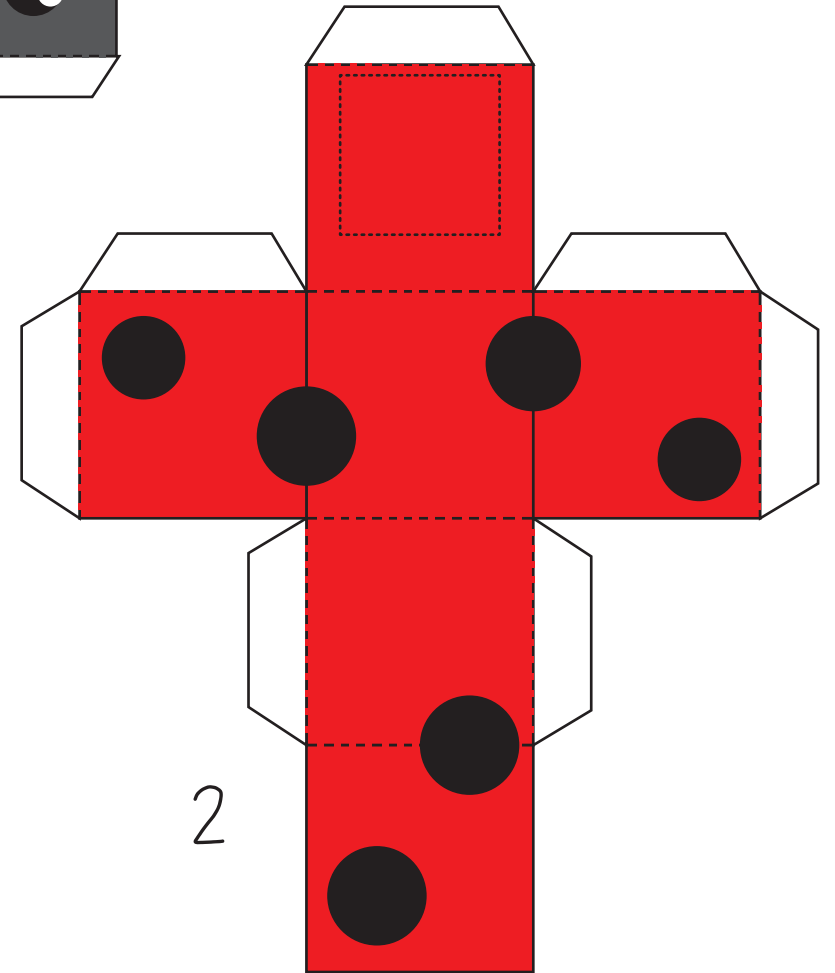
Bee



2



Lady Bird



2